

M1 Series

Fijador

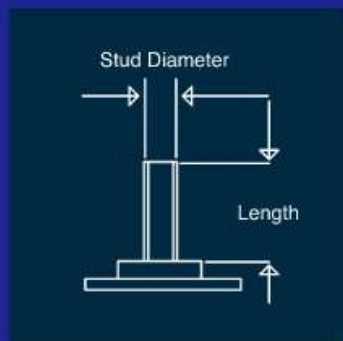
Perno roscado macho PC8.8 o
Acero inoxidable 316

Cabeza

B38A Redondo con lados
planos \varnothing 38mm

Material

Acero dulce galvanizado o
Acero inoxidable 316



Acero dulce galvanizado

M1B38AM4X12HT

M1B38AM4X16HT

M1B38AM4X20HT

M1B38AM4X25HT

M1B38AM5X12HT

M1B38AM5X16HT

M1B38AM5X20HT

M1B38AM5X25HT

M1B38AM6X12HT

M1B38AM6X16HT

M1B38AM6X20HT

M1B38AM6X25HT

M1B38AM8X12HT

M1B38AM8X16HT

M1B38AM8X20HT

M1B38AM8X25HT

Acero inoxidable 316

SM1B38AM4X12

SM1B38AM4X16

SM1B38AM4X20

SM1B38AM4X25

SM1B38AM5X12

SM1B38AM5X16

SM1B38AM5X20

SM1B38AM5X25

SM1B38AM6X12

SM1B38AM6X16

SM1B38AM6X20

SM1B38AM6X25

SM1B38AM8X12

SM1B38AM8X16

SM1B38AM8X20

SM1B38AM8X25

Tamaño de hilo x largo

M4 x 12 mm

M4 x 16 mm

M4 x 20 mm

M4 x 25 mm

M5 x 12 mm

M5 x 16 mm

M5 x 20 mm

M5 x 25 mm

M6 x 12 mm

M6 x 16 mm

M6 x 20 mm

M6 x 25 mm

M8 x 12 mm

M8 x 16 mm

M8 x 20 mm

M8 x 25 mm