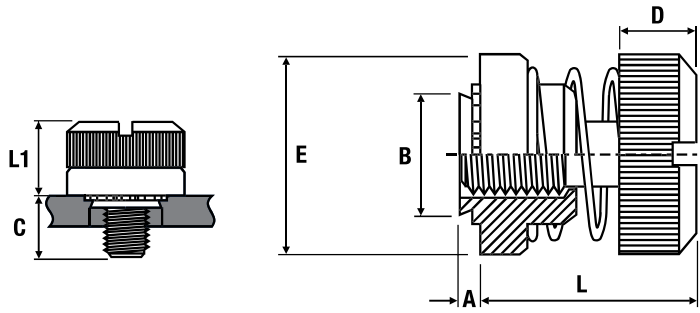


Low Profile Panel Fastener TR-PF31/TR-PF32



Metric Dimensions

Nickel Plated Steel: TR-PF31 | Nickel Plated Steel: TR-PF32

Thread	M3		M4		M5		M6
Type	TR-PF31	TR-PF32	TR-PF31	TR-PF32	TR-PF31	TR-PF32	TR-PF32
Screw length code	30		30		30		35
A max.	0.97	1.48	0.97	1.48	0.97	1.48	1.48
Min. sheet thickness	1.0	1.5	1.0	1.5	1.0	1.5	1.5
Recommended hole size +0.08	5.5		6.4		8.0		9.5
B max.	5.48		6.38		7.98		9.48
L nom.	15.11		15.24		15.37		17.15
D ±0.13	5.13		5.26		5.59		6.12
E ±0.25	10.31		11.89		13.46		15.88
C ±0.4	7.62		7.62		7.62		8.89
L1 max.	8.26		8.38		8.51		9.78
Min. distance to edge of sheet	6.6		7.37		8.38		9.65

Metric Performance Data

Thread	M3	M4	M5	M6
Test sheet material	Aluminium			
Installation (kN)	9.9	12.6	15.6	19.2

TR-PF31 - Recommended for use in sheet hardness: HRB 60 or less

TR-PF32 - Recommended for use in sheet hardness: HRB 60 or less

