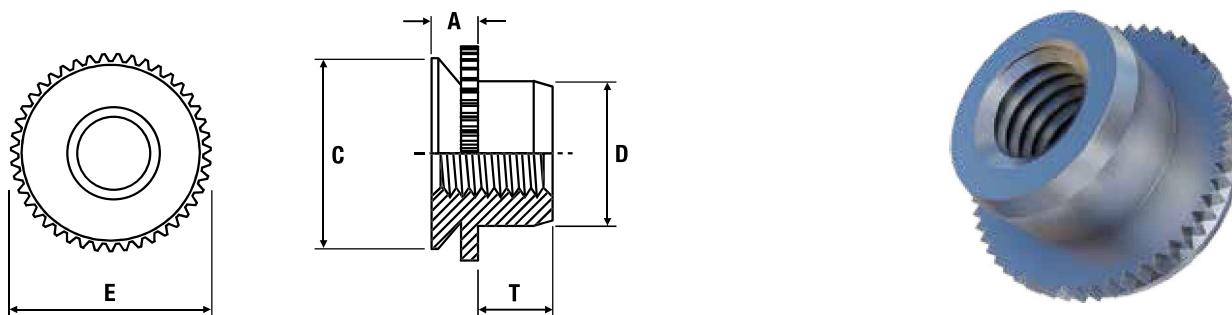


Non-Locking Mini Squeezed Nut TR-U/TR-FEX/TR-FEOX



Metric Dimensions (TR-U)

Stainless Steel: TR-U/TR-FEX/TR-FEOX

Thread	M2
E ±0.13	4.07
A (shank) max.	0.79
C -0.13	3.60
D max.	2.50
T +0.4	1.65
Sheet thickness	0.76 - 0.91
Recommended hole size +0.08	3.61
Min. distance to edge of sheet	2.80

Metric Dimensions (TR-FEX/TR-FEOX)

Thread		M3	M4	M5	M6
E ±0.13		4.88	8.17	8.17	9.74
A (shank) max.	FEX	1.53	1.53	1.53	1.53
	FEOX	1.02	1.02	1.02	1.02
C -0.13		4.37	7.37	7.37	8.72
D max.		3.96	5.23	6.48	7.72
T +0.4		1.9	2.55	3.05	3.3
Sheet thickness	FEX	1.5 - 1.78	1.5 - 1.78	1.5 - 1.78	1.5 - 1.78
	FEOX	0.99 - 1.14	0.99 - 1.14	0.99 - 1.14	0.99 - 1.14
Hole size in sheet +0.08		4.39	7.39	7.39	8.74
Min. distance to edge of sheet		3.6	5.2	5.2	7.1

TR-U - Recommended for use in sheet hardness: HRB 70 or less
 TR-FEX - Recommended for use in sheet hardness: HRB 70 or less

TR-FEOX - Recommended for use in sheet hardness: HRB 70 or less

